

# DH-HAC-HFW1500R-Z-IRE6-A-POC

## 5MP Starlight HDCVI POC IR Bullet Camera



\* The parameters and datasheets below can only be applied to 1500-S2 series.  
\* In order to use the 5MP 16:9 HDCVI camera, the firmware of XVR must be upgraded to V4.001.0000001.0.R.200908 or later version.

- Max 25 fps@5MP (16:9 video output)
- CVI/CVBS/AHD/TVI switchable
- 2.7 mm–12 mm motorized lens
- Built-in mic
- Max. IR length 60 m, Smart IR
- IP67, PoC (only CVI)/12V±30% DC



### System Overview

PoC Series features camera powered directly by the recorder over the same coaxial cable\* in which video is transmitted. Dahua PoC transmission distance can reach up to 200 meters for AF cameras and 100 meters for AT cameras, that can help decrease material and installation cost and simplify the system.

\* It is recommended to choose RG59/RG6 cable for PoC transmission.

### Functions

#### 4 Signals over 1 Coaxial Cable

HDCVI technology supports 4 signals to be transmitted over 1 coaxial cable simultaneously, i.e. video, audio\*, data and power. Dual-way data transmission allows the HDCVI camera to interact with the XVR, such as sending control signal or triggering alarm. Moreover, HDCVI technology supports PoC for construction flexibility.

\* Audio input is available for some models of HDCVI cameras.

#### Long Distance Transmission

HDCVI technology guarantees real-time transmission at long distance without any loss. It supports up to 700 m for 5MP HD video through coaxial cable, and up to 300 m through UTP cable.\*

\*Actual results verified by real-scene testing in Dahua's test laboratory.

#### Simplicity

HDCVI technology inherits the born feature of simplicity from traditional analog surveillance system, making itself a best choice for investment protection. HDCVI system can seamlessly upgrade the traditional analog system without replacing existing coaxial cabling. The plug and play approach enables full HD video surveillance without the hassle of configuring a network.

#### Smart IR

The camera is designed with IR LED illumination for best lowlight performance. Smart IR is a technology to ensure brightness uniformity in B/W image under low illumination. Dahua's unique Smart IR adjusts to the intensity of camera's infrared LEDs to compensate for the distance of an object, and prevents IR LEDs from overexposing images as the object come closer to the camera.

#### Multi-formats

The camera supports multiple video formats including HDCVI, CVBS and other two common HD analog formats in the market. The four formats can be switched over through OSD menu. This feature makes the camera compatible with most end users' existing HD/SD DVRs.

#### Starlight

With the adoption of large sized high performance sensor and large aperture lens, the camera is able to provide incomparable performance even under extreme lowlight environment. The starlight feature allows more details to be captured and accurate color to be recognized at night or in scenes with limited illumination.

#### Protection

The camera's outstanding reliability is unsurpassed due to its rugged design. The camera is protected against water and dust with IP67 ranking, making it suitable for indoor or outdoor environments. With working temperature range of -30 °C to +60 °C (-22 °F to +140 °F), the camera is designed for extreme temperature environments. Supporting ±30% input voltage tolerance, this camera suits even the most unstable power supply conditions. Its 4kV lightning rating provides protection against the camera and its structure from the effects of lightning.

### Technical Specification

#### Camera

Image Sensor	1/2.7 inch CMOS
Max. Resolution	2880 (H) × 1620 (V)
Pixel	5MP
Scanning System	Progressive
Electronic Shutter Speed	PAL: 1/25 s–1/100,000 s NTSC: 1/30 s–1/100,000 s
S/N Ratio	> 65 dB
Min. Illumination	0.005 Lux/F1.6, 30IRE, 0 Lux IR on
Illumination Distance	60 m (196.9 ft)
Illuminator On/Off Control	Auto; manual
Illuminator Number	4
Pan/Tilt/Rotation Range	Pan: 0°–360° Tilt: 0°–90° Rotation: 0°–360°

#### Lens

Lens Type	Motorized vari-focal				
Auto Focus	N/A				
Mount Type	φ14				
Focal Length	2.7 mm–12 mm				
Max. Aperture	F1.6				
Field of View	Diagonal: 39°–130° Horizontal: 34°–107° Vertical: 19°–55°				
Iris Type	Fixed iris				
Close Focus Distance	0.5 m (1.64 ft)				
DORI Distance	Lens	Detect	Observe	Recognize	Identify
	2.7 mm	69 m (226.37 ft)	27.6 m (90.55 ft)	13.8 m (45.27 ft)	6.9 m (22.63 ft)
	12 mm	191.6 m (628.6 ft)	76.64 m (251.44 ft)	38.32 m (125.72 ft)	19.16 m (62.86 ft)

#### Video

Frame Rate	CVI: PAL: 5M@25 fps; 4M@25 fps; 1080p@25 fps NTSC: 5M@25 fps; 4M@30 fps; 1080p@30 fps AHD: PAL: 4M@25 fps; NTSC: 4M@30 fps TVI: PAL: 4M@25 fps; NTSC: 4M@30 fps CVBS: PAL: 960H; NTSC: 960H
Resolution	5M (2880 × 1620); 4M (2560 × 1440); 1080p (1920 × 1080); 960H (960 × 576/960 × 480)
Day/Night	Auto switch by ICR
BLC	BLC/HLC/DWDR
WDR	DWDR

White Balance	Auto; manual
Gain Control	Auto; manual
Noise Reduction	2D NR
Smart IR	Yes
Mirror	Off/On
Privacy Masking	Off/On (8 areas, rectangle)

#### Certifications

Certifications	CE (EN55032:2015, EN 61000-3-2:2014, EN 61000-3-3:2013, EN55024:2010+A1:2015, EN 55035:2017, EN50130-4:2011+A1:2014, EN 62368-1:2014+A11:2017) FCC (CFR 47 FCC Part 15 subpartB, ANSI C63.4-2014) UL (UL60950-1+CAN/CSA C22.2 No.60950-1)
----------------	---

#### Port

Audio Output	One channel built-in mic
Video Output	Video output choices of CVI/TVI/AHD/CVBS by one BNC port

#### Power

Power Supply	PoC (only CVI)/12V±30% DC
Power Consumption	Max 9.8W (12 VDC, IR on); PoC (AT)

#### Environment

Operating Temperature	–30 °C to +60 °C (–22 °F to +140 °F); < 95% (non-condensation)
Storage Temperature	–30 °C to +60 °C (–22 °F to +140 °F); < 95% (non-condensation)
Protection Grade	IP67

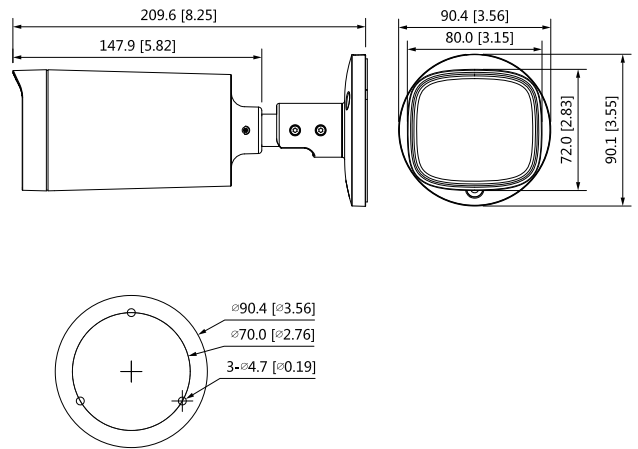
#### Structure

Casing	Metal throughout the whole casing
Camera Dimensions	209.9 mm × 90.4 mm × 90.4 mm (8.26" × 3.56" × 3.56")
Net Weight	0.55 kg (1.21 lb)
Gross Weight	0.7 kg (1.54 lb)

**Ordering Information**

Type	Part Number	Description
5MP Starlight Camera	DH-HAC-HFW1500RP-Z-IRE6-A-POC 2.7 mm–12 mm	5MP Starlight HDCVI POC IR Bullet Camera
	DH-HAC-HFW1500RN-Z-IRE6-A-POC 2.7 mm–12 mm	
Accessories	PFA13G	Junction Box
	PFA130-E	IP66 Junction box (Use alone or with PFA152-E pole mount)
	PFA152-E	Pole Mount Bracket (Use with PFB211W)
	PFM321	12V 1A Power Adapter
	PFM320D-015	12V 1.5A Power Adapter
	PFM904	Integrated Mount Tester

**Dimensions (mm[inch])**

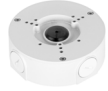


**Accessories**

Optional:



PFA13G  
Junction Box



PFA130-E  
IP66 Junction box  
(For use alone or with PFA152-E pole mount)



PFA152-E  
Pole Mount Bracket  
(For use with PFB211W)



PFM321  
12V 1A Power Adapter



PFM320D-015  
12V 1.5A Power Adapter



PFM904  
Integrated Mount Tester

