

# DH-HAP120-V

## Hi-fidelity Pickup



### Features

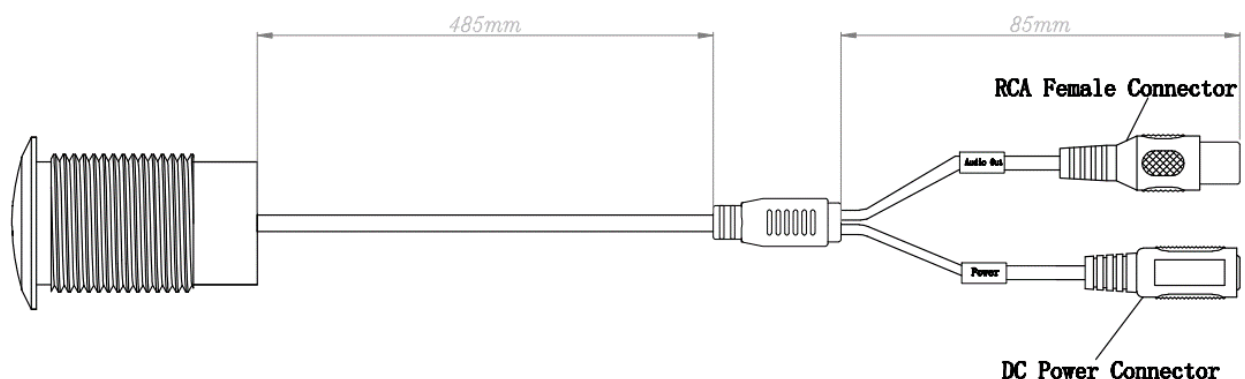
- Easy to install
- IP66 Waterproof monitor head, using waterproof MIC;
- Built-in noise filter chip, high voice clarity;
- Spiral design, hidden installation, conveniently fixed to the equipment panel, uneasy damage, convenient application;
- 8KV Air contact ESD, built-in Lightning Protection, power polarity reverse protection and power protection module.

## Technical Specifications

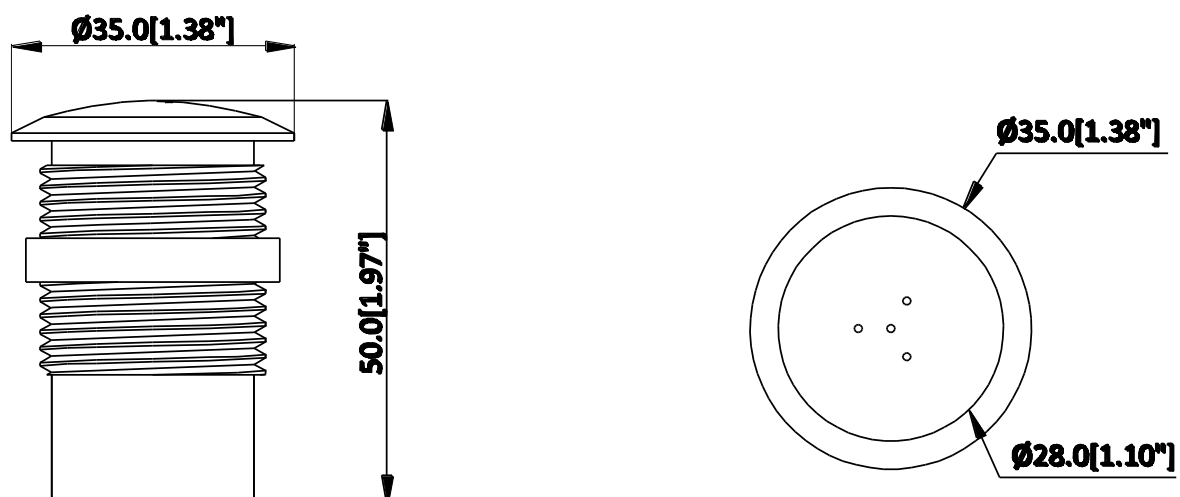
Model	DH-HAP120-V
<b>General</b>	
Scope	5m
Frequency response	20Hz~20kHz
Sensitivity(re 0dB=1V/Pa@1kHz)	-45dB
Default gain	44dB
Gain adjustment range	Non adjustment
SNR(re 94dBSPL=1Pa@1KHz)	58dB(A)
Dynamic range	74dB(A)
Directional characteristic	Omni-directional
Max. sustainable sound pressure	110dB SPL(1KHz, THD≤1%)
Output impedance	100Ω(non-equilibrium)
Output signal amplitude	2.5Vpp/101dBSPL
Working voltage	DC 12V
Working current	60mA
Working temperature	-30°C ~ +70°C (-22°F ~ +158°F)
Color	Silver
Outer shell	Al
Protection	IP66, IK10
Dimension	Φ 35mmx50mm (Φ 1.38"x1.97")
Weight	60g(0.13lb)
Carried standard	CE/FCC

## Interface information

- RCA female connector
- DC Power connector

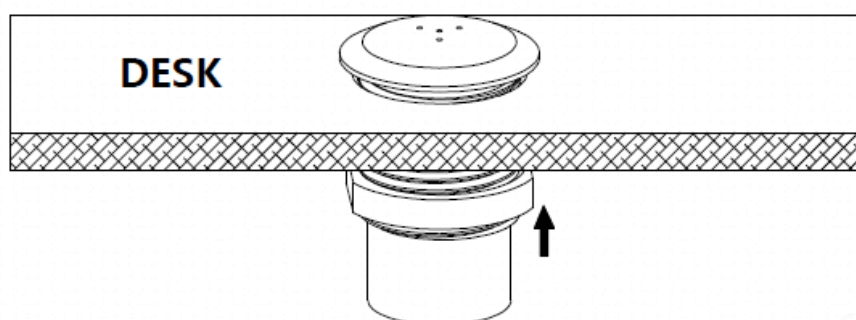


## Dimensions (mm/inch)



## Application scenarios

- Suitable for interrogation, sentry box, doorman, outdoor alarm box and other places.



## Package Information

- Hi-fidelity Pickup \*1
- M4 screw&anchor \*3
- User manual \*1